



KOMPTECH
AMERICAS

TROMMEL SCREENS

MOBILE ELECTRIC & HYDRAULIC DRUM SCREENS





HIGHLIGHTS 

- » Power options: diesel hydraulic, diesel-electric or all electric operation
- » Choice of standard screen drums with fixed hole size or flexible system with quick change screen segments
- » Drums built to maximize screening surface area.
- » User friendly operation with intuitive controls
- » Easy access for screen drum change and maintenance

TROMMEL SCREENS

Komptech's heavy duty trommel line was born out of the dirt and topsoil market and is designed for economical operation. Each machine is built to withstand the heavy rock and abrasive material found in topsoil. The drum screens rotating action break up the clods of dirt and rock. If necessary, adding the prescreening grizzly option adds further separation of larger material.

Our product portfolio includes 6 models tailored to the requirements of the market. From the entry level Joker to the high throughput of the all-electric Cribus 5000, we have a trommel that can meet any demand.

With many years of experience, Komptech's drum screens reflect our focus on innovative technology and maximum customer benefit. There are extensive options available to meet a variety of specific needs, including wind sifters or grizzly attachments.



Compost
Green compost, organic compost, sludge compost



Mulch/Biomass
Shredded waste wood, woody biomass, wood chips, mulch, bark



Soil/Aggregate
Excavated material, sand, gravel, lightweight building rubble



Waste
Shredded bulky, household and residual waste, refuse derived fuels

THE CRIBUS



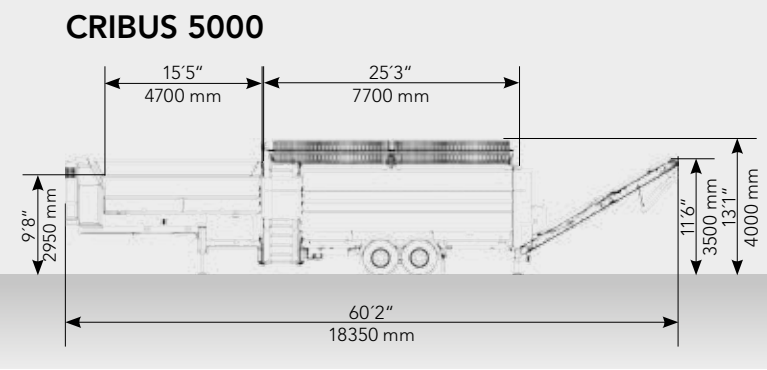
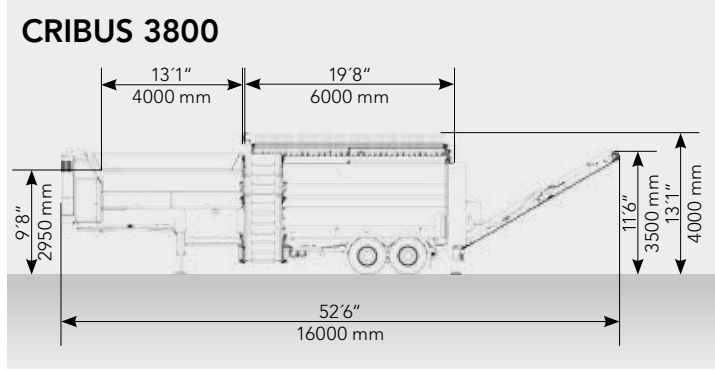
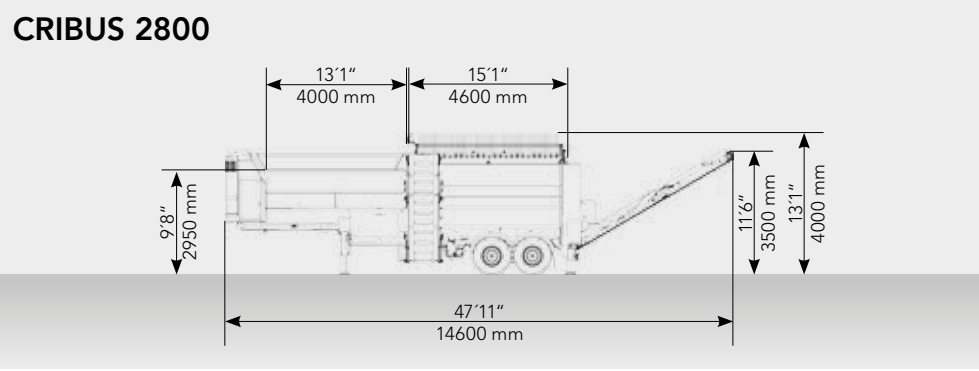
- 1 Electrically adjustable cleaning brush
- 2 Steep hopper walls with extensions that can be fitted on the right or left
- 3 Friction wheel drum drive with WHEELGRIP
- 4 Corrugated fines discharge belt
- 5 Hydraulically extendable diesel generator

HIGHLIGHTS

- » Drum change possible in minutes, without tools
- » Large panels and doors for easy access to all maintenance points
- » Hydraulically adjustable sidewall
- » Steep sidewalls prevent bridging
- » Automatic hopper belt controller for precise straight line travel



The Cribus series redefines the term mobile drum screen. Numerous innovations create a machine with the highest level of functionality and cost-effectiveness, to set a new benchmark. The drive system is the basis for its extremely high cost-effectiveness - everything from the hopper to the discharge belts on the Cribus is electrically driven.



THE JOKER



- 1 Deep hopper walls prevent bridging
- 2 Side door opens for cleaning & quick drum change
- 3 Fines discharge conveyor doubles as the collection conveyor eliminating 2 belts
- 4 51 hp Perkins diesel engine
- 5 Equipped with air or electric brakes for easy towing with a pick-up truck

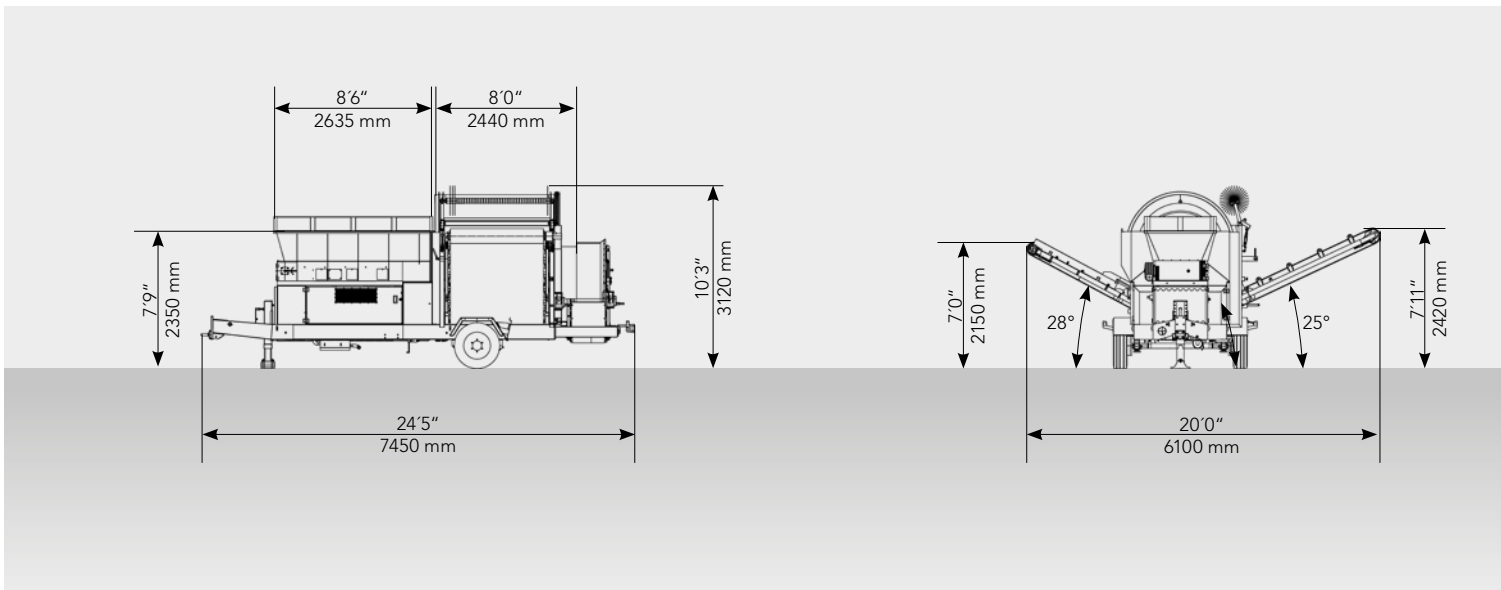
HIGHLIGHTS

- » Sturdy frame, mounted on highly mobile single-axle trailer
- » Opposing discharge belts for fine and oversized particles save space
- » Screen drum with fixed hole size, or flexible system (core trommel with quick-change screen segments)



The Joker is an entry level hydraulic trommel screen in the world of professional screening technology. The small footprint and compact design allow the Joker to be transported almost anywhere with a large pickup truck.

The Joker is an excellent solution for gardeners, landscapers and smaller composting sites.



THE PRIMUS



- 1 Quick and easy set-up
- 2 Wind sifter option available for light film plastic removal
- 3 Side door opens for cleaning & quick drum change
- 4 4 yd³ hopper
- 5 51 hp Perkins diesel engine

HIGHLIGHTS

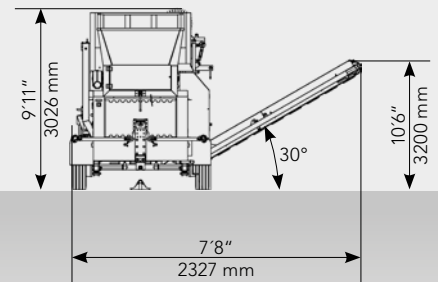
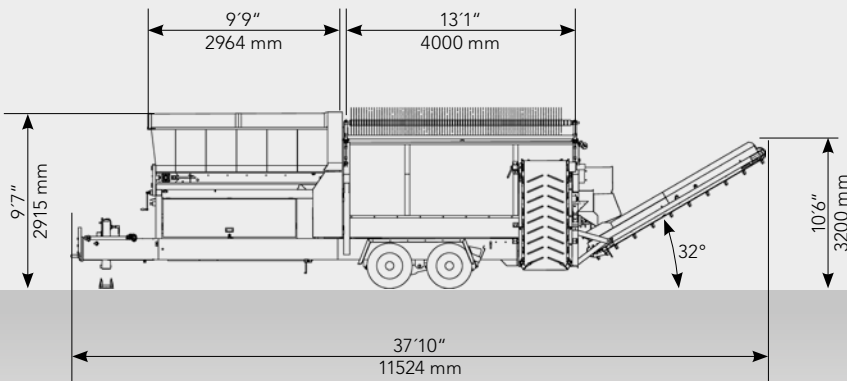


- » Steep hopper walls prevent bridging
- » Easy accessibility and simple drum change system
- » Solid punch plate drum or quick change screen segments available



For higher throughput needs, the Primus is the next step. Designed as a tandem, central axle trailer, the Primus not only has 172 ft² / 16 m² of effective screening area, it can also be equipped with a grizzly or wind sifter option for specific customer needs.

Heavy duty components, manually folding discharge belts, and a fuel efficient hydraulic drive gives this machine an excellent price to performance ratio.



THE NEMUS



- 1 Hopper belt is driven on the screen intake side
- 2 Electronic control panel with a visual display
- 3 Discharge of fines with corrugated belt conveyor (option)
- 4 Low wear DRUMGRIP-drum drive
- 5 Steep hopper walls with extensions that can be fitted on the right or left



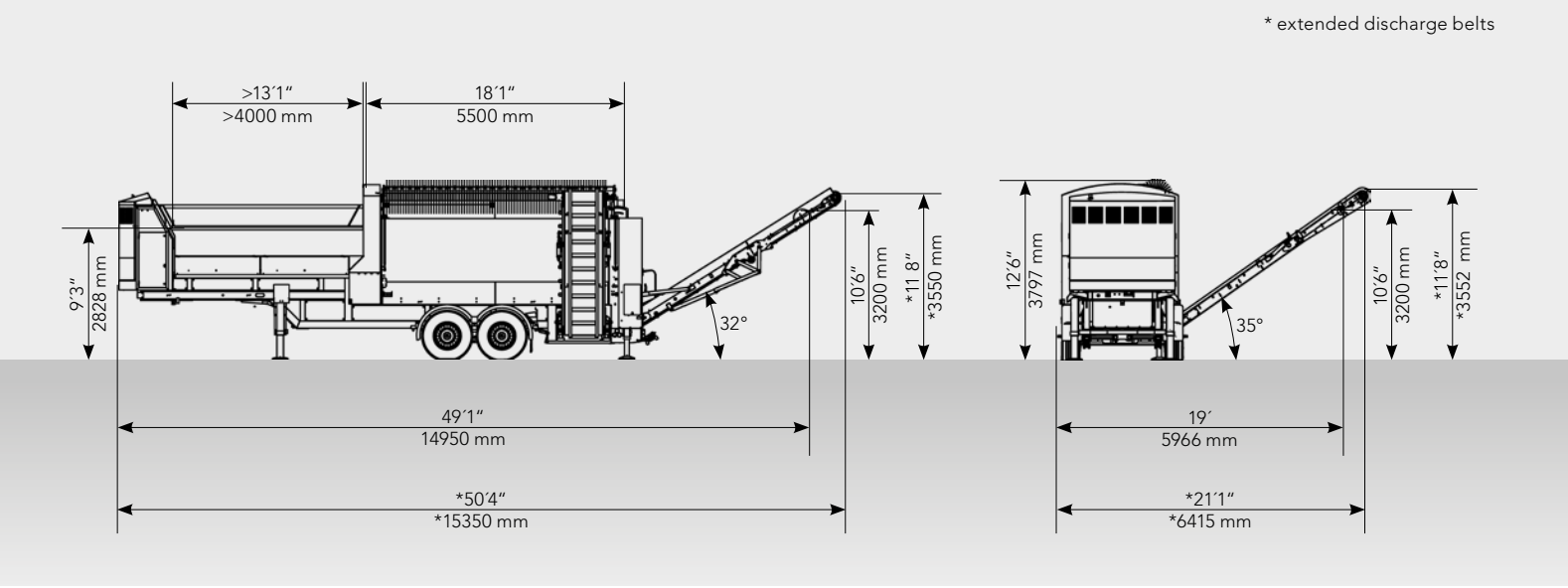
Flexible drum choices



Clean discharge



Maintenance made easy





HIGHLIGHTS



- » More than 6.5 yd³/5 m³ hopper for constant operation
- » Efficient, low-wear hopper belt drive on the drum intake side
- » 323 ft² / 30 m² screening area for higher throughput and more efficiency per ft² / m² screening area
- » DRUMGRIP drive, combining the toughness of a chain and the smoothness of a friction drive
- » One-piece corrugated edge fines discharge belt eliminates transfer loss (option)
- » New control design for easier, self-explanatory operation



THE NEMUS 2700

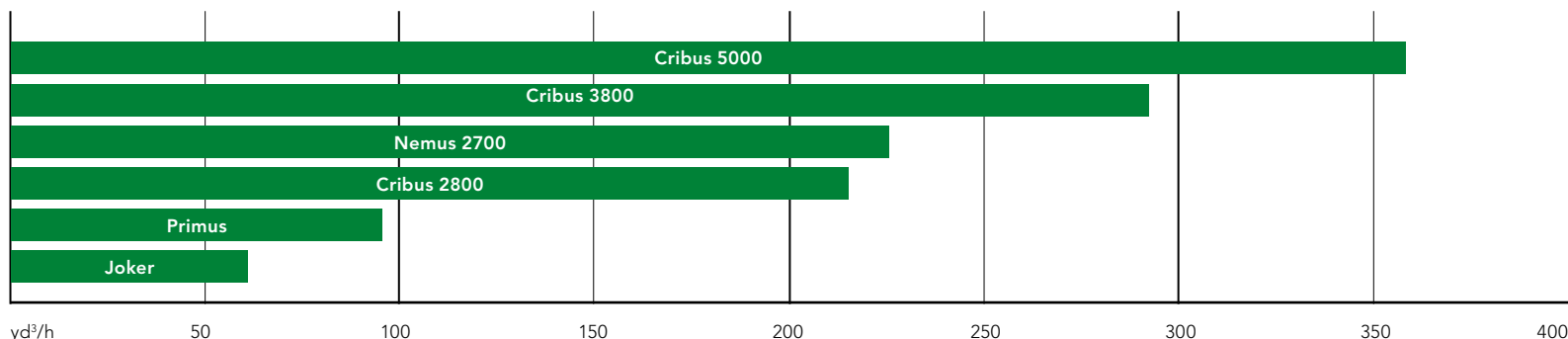
The Nemus 2700, a mobile hydraulic drum screen, is the result of customer feedback and a combination of features from past and current product offerings by Komptech. The large 6.5 yd³ hopper and unique drum design to push material through, ensures the operator is never waiting on the trommel. The Nemus can go from transport to working mode in a matter of minutes, saving the user the time and hassle associated with other complicated machines.

Developed with user ease in mind; features such as an easy-to-clean radiator screen, larger support wheels, self-adjusting hopper belt and low-wear conveyor scrapers make the Nemus the right choice for first-time trommel buyer. And, when looking to upgrade from a current trommel, the Nemus 2700 also has the added flexibility of accepting the competitor's drums.

	Joker	Primus	Nemus 2700	Cribus 2800	Cribus 3800	Cribus 5000
Drive						
Diesel generator / engine (kVA / HP):	51	51	90	60 / 80	60 / 80	60 / 80
Material feeding - feed hopper						
Hopper volume:	> 3.0 yd ³ > 2.3 m ³	> 4.0 yd ³ > 3 m ³	> 6.5 yd ³ > 5.0 m ³	> 6.6 yd ³ > 5.0 m ³	> 6.6 yd ³ > 5.0 m ³	> 7.9 yd ³ > 6.0 m ³
Filling length:	> 8'6" > 2635 mm	> 13'1" > 4000 mm	> 13'1" > 4000 mm	> 13'1" > 4000 mm	> 13'1" > 4000 mm	> 14'9" > 4500 mm
Filling height:	7'9" 2350 mm	> 8'8" > 2640 mm	9'4" 2850 mm	9'8" 2950 mm	9'8" 2950 mm	9'8" 2950 mm
Screening drum						
Diameter:	5'11" 1800 mm	4'9" 1450 mm	6'7" 2000 mm	7'3" 2200 mm	7'3" 2200 mm	7'3" 2200 mm
Length:	8'0" 2440 mm	13'1" 4000 mm	18'1" 5500 mm	15'1" 4600 mm	19'8" 6000 mm	25'3" 7700 mm
Effective screening area:	108 ft ² 10 m ²	172 ft ² 16 m ²	323 ft ² 30 m ²	301 ft ² 28 m ²	409 ft ² 38 m ²	538 ft ² 50 m ²
Drum rpm:	max. 14	max. 21	max. 23	max. 20	max. 20	max. 20
Material discharge - max discharge height						
Coarse fraction:	7'0" 2125 mm	7'7" 2300 mm	11'8" 3550 mm	11'6" 3500 mm	11'6" 3500 mm	11'6" 3500 mm
Fine fraction:	7'11" 2420 mm	6'10" 2080 mm	11'8" 3552 mm	11'0" 3350 mm	11'0" 3350 mm	11'0" 3350 mm
Transport dimensions L x W x H						
Transport dimensions Pintle:	25'1" x 8'4" x 12'6" 7650 x 2550 x 3800 mm	32'0" x 8'4" x 13'1" 9750 x 2550 x 4000 mm	39'4" x 8'4" x 13'1" 12000 x 2550 x 4000 mm	34'9" x 8'4" x 13'1" 10600 x 2550 x 4000 mm	39'4" x 8'4" x 13'1" 12000 x 2550 x 4000 mm	46'1" x 8'4" x 13'1" 13600 x 2550 x 4000 mm
Transport dimensions King-Pin:			37'11" x 8'4" x 13'1" 11552 x 2550 x 4000 mm	32'4" x 8'4" x 13'1" 9850 x 2550 x 4000 mm	38'1" x 8'4" x 13'1" 11600 x 2550 x 4000 mm	46'1" x 8'4" x 13'1" 14040 x 2550 x 4000 mm
Working dimensions Pintle:	24'10" x 20'0" x 10'3" 7580 x 6100 x 3120 mm	38'1" x 19'11" x 9'10" 11613 x 6073 x 3001 mm	51'9" x 21'1" x 12'6" 15762 x 6415 x 3797 mm	42'10" x 16'5" x 13'1" 13060 x 5000 x 4000 mm	53'6" x 21'6" x 13'1" 16300 x 6560 x 4000 mm	60'8" x 22'4" x 13'1" 18500 x 6800 x 4000 mm
Working dimensions King-Pin:			50'4" x 19'7" x 12'6" 15350 x 5966 x 3800 mm	47'11" x 21'6" x 13'1" 14600 x 6560 x 4000 mm	52'6" x 21'6" x 13'1" 16000 x 6560 x 4000 mm	60'2" x 21'6" x 13'1" 18350 x 6560 x 4000 mm
Weight:	~ 11,000 lbs	~ 19,800 lbs	~ 38,000 lbs	~ 35,000 lbs	~ 40,000 lbs	~ 53,000 lbs
Throughput (dependent on material)						
Throughput performance:	to 65 yd ³ /h to 50 m ³ /h	to 90 yd ³ /h to 70 m ³ /h	to 230 yd ³ /h to 175 m ³ /h	to 220 yd ³ /h to 170 m ³ /h	to 290 yd ³ /h to 225 m ³ /h	to 360 yd ³ /h to 275 m ³ /h

Options

Conveyor extension, magnet drum, scraper for round brush, central lubrication, hopper pre-screening, hopper sensor controller, remote control, air suspension, feed device, attachment shoe, adjustable belt speed, noise insulation package and wind sifter



10855 DOVER STREET, STE. 1000
WESTMINSTER, COLORADO 80021

[t] +1 (720) 890-9090
[f] +1 (720) 890-5907
[e] info@komptechamericas.com
[w] www.komptechamericas.com



We reserve the right to make technical changes due to ongoing development. USA2017